

NOVA Series



NOVA 30-50-B10 P50

Inrunner BLDC motor with closed housing

Overview

The NOVA 30 is from our family of super rugged inrunner BLDC motors and has been designed for a wide range of mission critical applications.

Features

- Super robust housing for applications in the harshest environments
- Best power-to-weight-to-robustness ratio in its class
- Wear-free position and temperature sensors included in standard
- Optimized shaft for Plettenberg propeller coupling



Specifications

Part number	02-043.050.10-000-097
Peak output power	30 kW
Peak torque (max. 5s) ⁽¹⁾	80 Nm
Max. speed	5,000 rpm
Voltage range	100-350 V
Speed constant (kV)	15 rpm/V
Diameter	198 mm
Length	96 mm
Weight	5,600 g
Phase cable length	100 mm
Sensor cable length	400 mm
Recommended phase cable extension	6 mm ² AWG
Protection class	IP53
Mounting	Front & back
Direction of rotation	Both
Cooling	Air cooled
Ambient temperature range	-20 to +60 °C
Max. temperature of stator (as measured by sensor)	+100 °C
Position sensor types	Hall effect sensor with UVW-commutation signals
Temperature sensor	NTC 47 kΩ
Number of poles	50
Number of windings	10
Phase resistance ⁽²⁾	85 mΩ
Phase inductance ⁽²⁾	182 μH
Peak thrust	115 kg with 60x21" prop

Notes:

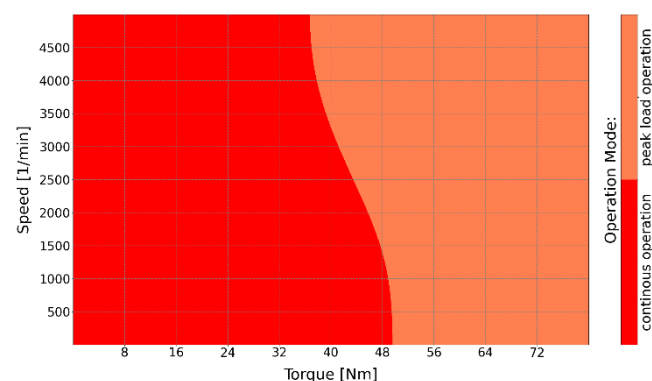
⁽¹⁾ Peak torque with sensor-guided ESC. If using sensorless ESC, peak torque may be 10-20% lower.

⁽²⁾ Phase-to-phase value

Complementary Products

- Plettenberg propeller coupling: PC LW 6K 16
- Plettenberg gold connectors: GC6-00 / GC6-90

Heatmap



Note: Assuming 25°C ambient temperature and 10 m/s airflow at MSL.

Options & Customization

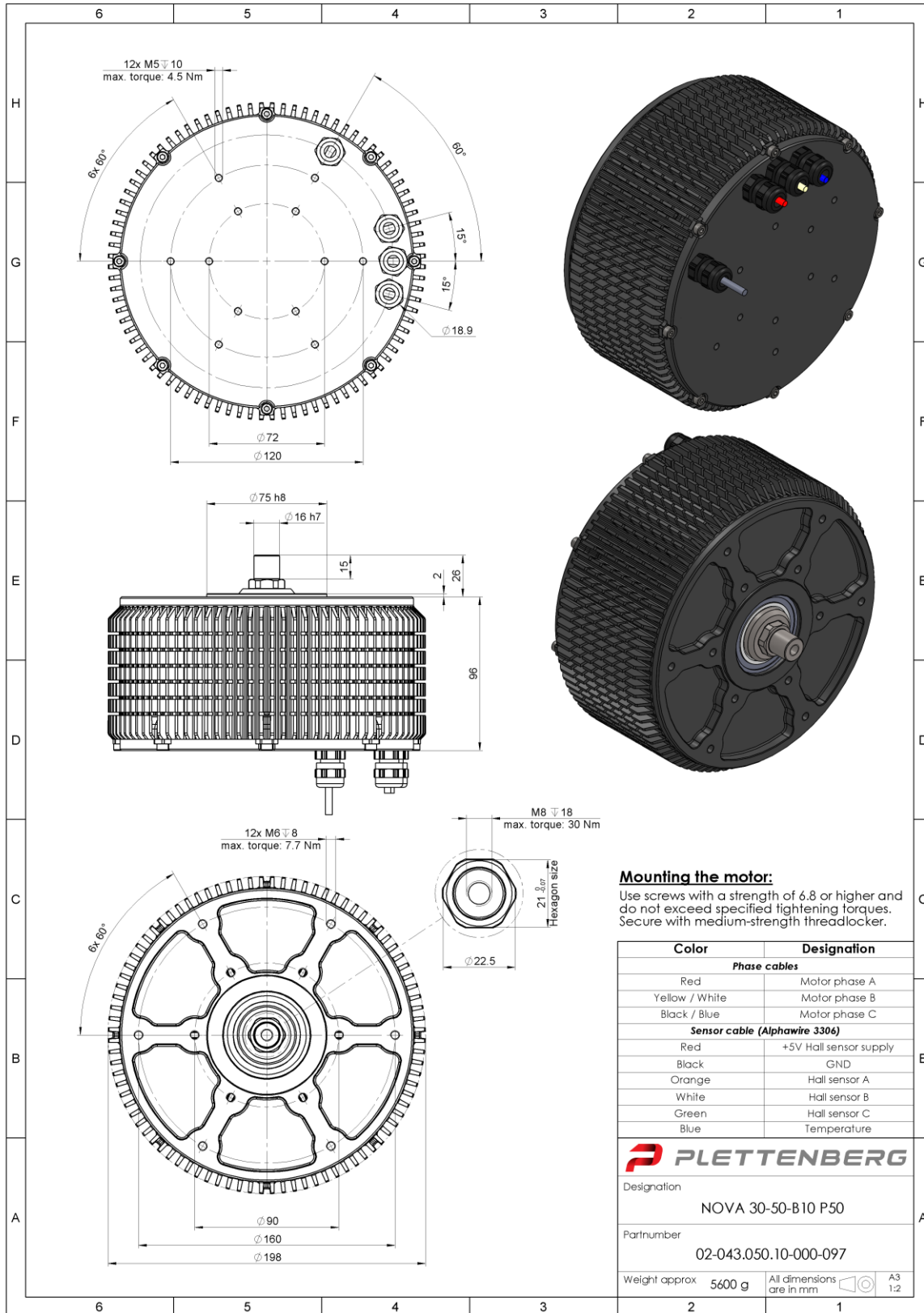
- Custom winding/kV versions
- MIL-STD 810H or RTCA DO160 qualification
- MTBF/S report
- IP67 protection class
- Aerospace or MIL-DTL-38999 connectors
- Mechanical customization or frameless kits
- High/low temperature versions
- High RPM versions
- Propeller study

Plettenberg Elektromotoren GmbH & Co. KG
Rostocker Straße 30
34225 Baunatal, Germany
T: +49 (0) 56 01 97 96-0
www.plettenbergmotors.com / sales@plettenbergmotors.com
© 2026 Plettenberg Elektromotoren GmbH & Co. KG. All rights reserved.



NOVA 30-50-B10 P50

Inrunner BLDC motor with closed housing



We reserve all rights for this drawing, also in case of patent grant or utility model registration. Without our prior consent, this drawing may neither be reproduced nor made available to third parties, and it may not be misused by the recipient or third parties in any other way. Infringements will be liable to damages and may result in criminal prosecution. Plettenberg Elektromotoren GmbH & Co. KG

Plettenberg Elektromotoren GmbH & Co. KG
 Rostocker Straße 30
 34225 Baunatal, Germany
 T: +49 (0) 56 01 97 96-0
 www.plettenbergmotors.com / sales@plettenbergmotors.com
 © 2026 Plettenberg Elektromotoren GmbH & Co. KG. All rights reserved.

