

## NOVA Series

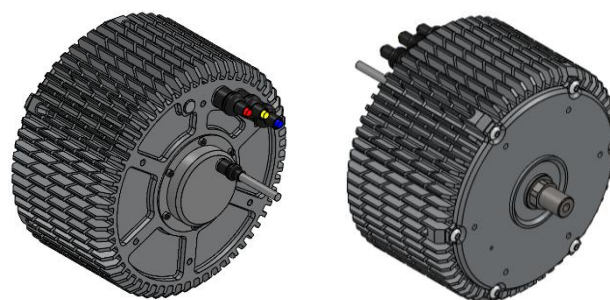
# NOVA 15-40-B4 P30 LW

Inrunner BLDC motor with closed housing



## Overview

The NOVA 15 Light-Weight ("LW") is from our family of super rugged inrunner BLDC motors and has been designed for a wide range of mission critical applications.



## Features

- Super robust housing for applications in the harshest environments
- Best power-to-weight-to-robustness ratio in its class
- Wear-free position and temperature sensors included in standard
- Optimized shaft for Plettenberg propeller coupling

## Specifications

Part number	02-044.040.12-000-345
Peak output power	12 kW
Peak torque (max. 5s) <sup>(1)</sup>	32 Nm
Max. speed	8,000 rpm
Voltage range	15-60 V
Speed constant (kV)	125 rpm/V
Diameter	138 mm
Length	80 mm
Weight	2,460 g
Phase cable length	100 mm
Sensor cable length	400 mm
Recommended phase cable extension	10 mm <sup>2</sup> 7 AWG
Protection class	IP54
Mounting	Front & back
Direction of rotation	Both
Cooling	Air cooled
Ambient temperature range	-20 to +60 °C
Max. temperature of stator (as measured by sensor)	+100 °C
Position sensor types	Hall effect sensor with UVW-commutation signals
Temperature sensor	NTC 47 kΩ
Number of poles	30
Number of windings	4
Phase resistance <sup>(2)</sup>	10 mΩ
Phase inductance <sup>(2)</sup>	15 μH
Peak thrust	60 kg with 40x13.3" prop

### Notes:

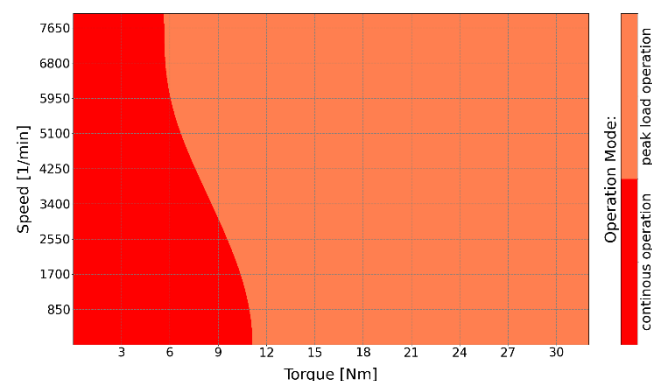
<sup>(1)</sup> Peak torque with sensor-guided ESC. If using sensorless ESC, peak torque may be 10-20% lower.

<sup>(2)</sup> Phase-to-phase value

## Complementary Products

- Plettenberg propeller coupling: PC LW 6K 12
- Plettenberg gold connectors: GC6-00 / GC6-90

## Heatmap



Note: Assuming 25°C ambient temperature and 10 m/s airflow at MSL.

## Options & Customization

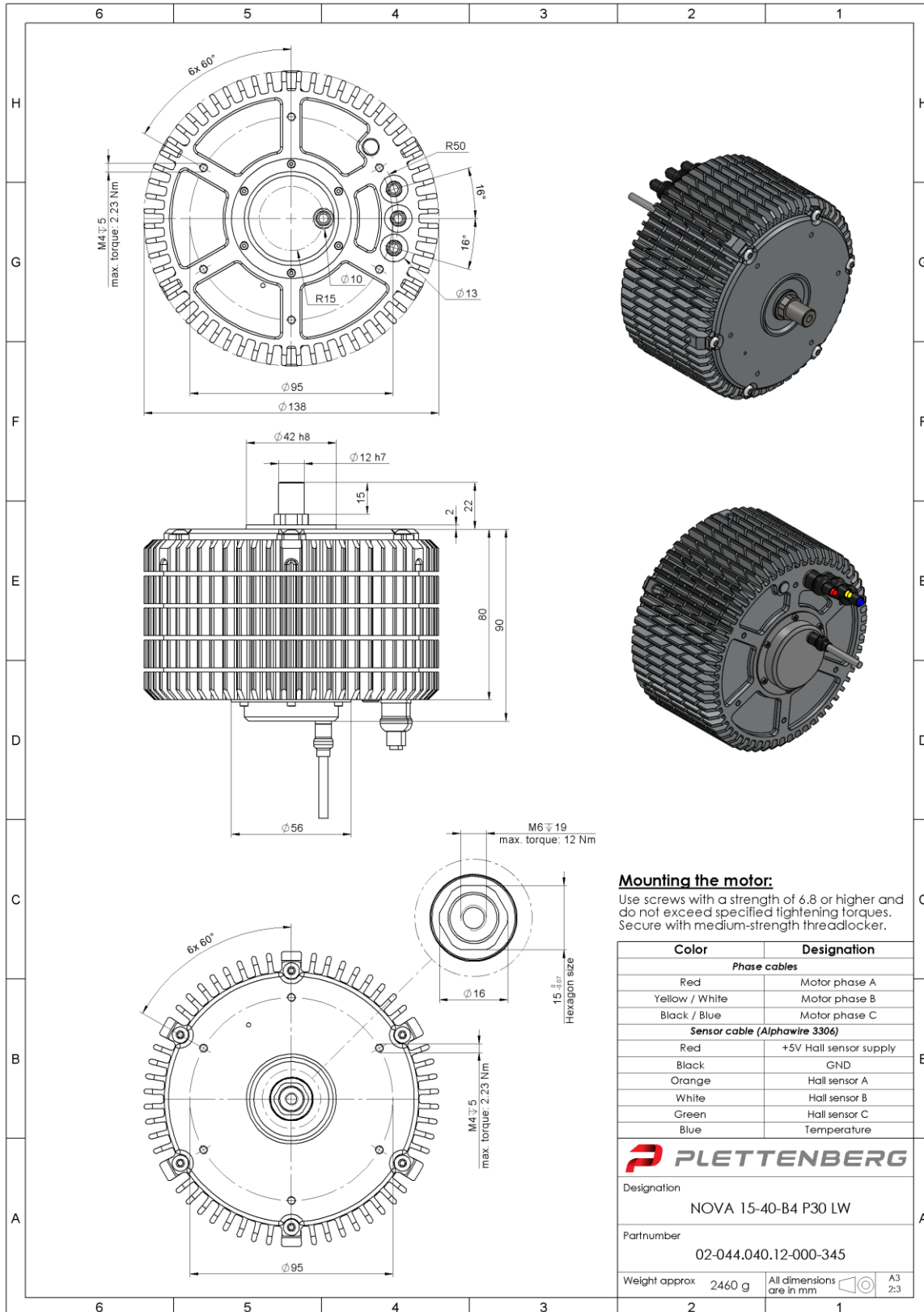
- Custom winding/kV versions
- MIL-STD 810H test reports
- MTBF/S report
- IP67 protection class
- Aerospace or MIL-DTL-38999 connectors
- Mechanical customization or frameless kits
- High/low temperature versions
- High RPM versions
- Propeller study
- RTCA DO160 qualification

Plettenberg Elektromotoren GmbH & Co. KG  
Rostocker Straße 30  
34225 Baunatal, Germany  
T: +49 (0) 56 01 97 96-0  
www.plettenbergmotors.com / sales@plettenbergmotors.com  
© 2026 Plettenberg Elektromotoren GmbH & Co. KG. All rights reserved.



# NOVA 15-40-B4 P30 LW

Inrunner BLDC motor with closed housing



### Mounting the motor:

Use screws with a strength of 6.8 or higher and do not exceed specified tightening torques. Secure with medium-strength threadlocker.

Color	Designation
<i>Phase cables</i>	
Red	Motor phase A
Yellow / White	Motor phase B
Black / Blue	Motor phase C
<i>Sensor cable (Alphawire 3306)</i>	
Red	+5V Hall sensor supply
Black	GND
Orange	Hall sensor A
White	Hall sensor B
Green	Hall sensor C
Blue	Temperature

Designation	NOVA 15-40-B4 P30 LW
Partnumber	02-044.040.12-000-345
Weight approx	2460 g
All dimensions are in mm	A3 2:3

