

ORBIT Series



ORBIT 15-37-B8 P20

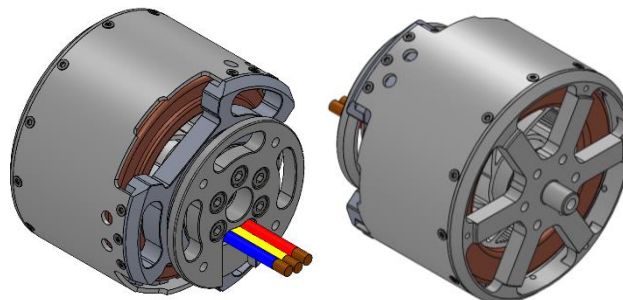
Outrunner BLDC motor

Overview

The ORBIT 15 is from our family of weight optimized rugged outrunner BLDC motors and has been specifically designed for mission critical applications, including uncrewed systems and aerospace.

Features

- Ultra-light housing for weight sensitive applications
- Designed for high shock and vibration loads
- Increased robustness through three bearing design, adding additional support to housing
- Useful for applications with high torque requirements
- Designed for use with sensorless ESCs



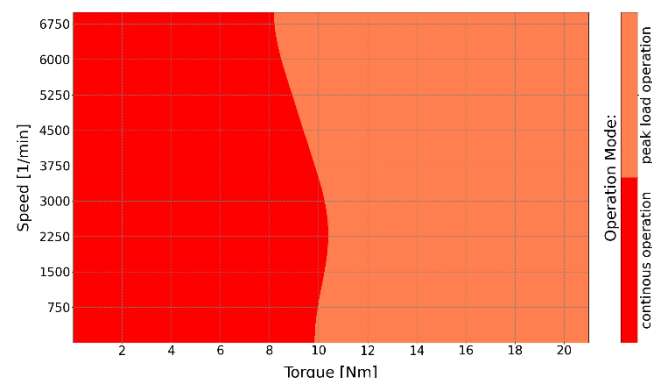
Specifications

Part number	03-049.037.00-000-039
Peak output power	11 kW
Peak torque (max. 5s)	21 Nm
Max. speed	7,000 rpm
Voltage range	20-60 V
Speed constant (kV)	115 rpm/V
Diameter	103 mm
Length	84.5 mm
Weight	1,900 g
Phase cable length	100 mm
Recommended phase cable extension	8 mm ² AWG
Mounting	Back
Direction of rotation	Both
Cooling	Air cooled
Ambient temperature range	-20 to +60 °C
Number of poles	20
Number of windings	8
Peak thrust	44 kg with 36x12" prop

Complementary Products

- Sensorless third party ESCs (e.g. Hargrave/APD or Allocortech)

Heatmap



Note: Assuming 25°C ambient temperature and 10 m/s airflow.

Options & Customization

- Custom winding/kV versions
- MTBF/S report
- Mechanical customization or frameless kits
- Propeller study
- Corrosion protection version
- Position and temperature sensors

Plettenberg Elektromotoren GmbH & Co. KG
Rostocker Straße 30
34225 Baunatal, Germany
T: +49 (0) 56 01 97 96-0
www.plettenbergmotors.com / sales@plettenbergmotors.com
© 2025 Plettenberg Elektromotoren GmbH & Co. KG. All rights reserved.

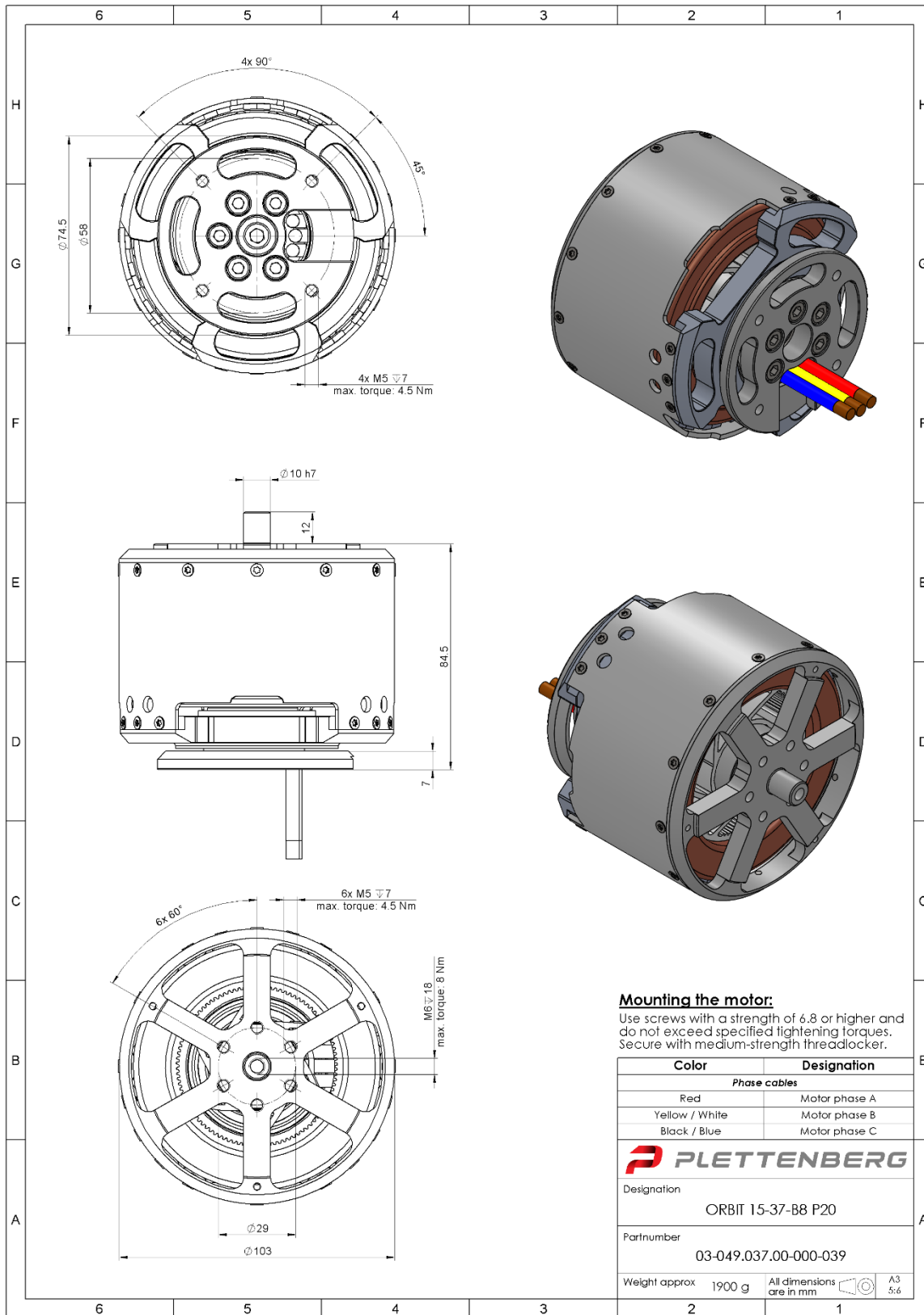


ORBIT Series



ORBIT 15-37-B8 P20

Outrunner BLDC motor



Plettenberg Elektromotoren GmbH & Co. KG
 Rostocker Straße 30
 34225 Baunatal, Germany
 T: +49 (0) 56 01 97 96-0
 www.plettenbergmotors.com / sales@plettenbergmotors.com
 © 2025 Plettenberg Elektromotoren GmbH & Co. KG. All rights reserved.

