

ORBIT 15-37-B6 P20

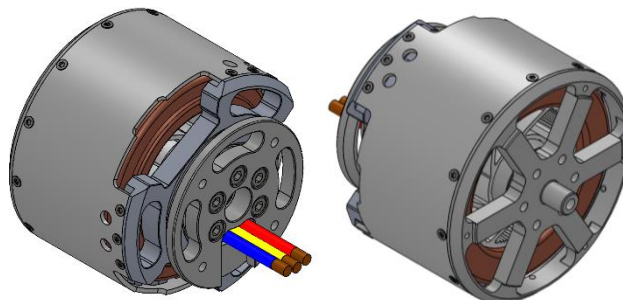
Outrunner BLDC motor

Overview

The ORBIT 15 is from our family of weight optimized outrunner BLDC motors and has been specifically designed for the most demanding applications, including uncrewed systems and aerospace.

Features

- Ultra-light housing for weight sensitive applications
- Increased robustness through three bearing design, adding additional support to housing
- Useful for applications with high torque requirements
- Designed for use with sensorless ESCs



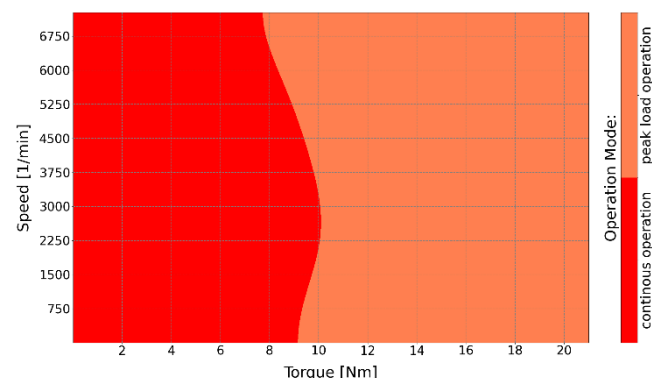
Specifications

Part number	03-049.037.00-000-033	
Peak output power	11	kW
Peak torque (max. 5s)	21	Nm
Max. speed	7,000	rpm
Voltage range	20-45	V
Speed constant (kV)	153	rpm/V
Diameter	103	mm
Length	84.5	mm
Weight	1,900	g
Phase cable length	100	mm
Recommended phase cable extension	10	mm ²
	7	AWG
Mounting	Back	
Cooling	Air cooled	
Direction of rotation	Both	
Ambient temperature range	-20 to +60	°C
Number of poles	20	
Number of windings	6	
Peak thrust	44 kg with 36x12" prop	

Complementary Products

- Sensorless third party ESCs (e.g. Hargrave/APD or Allocortech)

Heatmap



Note: Assuming 25°C ambient temperature and 10 m/s airflow.

Options & Customization

- Custom winding/kV versions
- MTBF/S report
- Mechanical customization or frameless kits
- Propeller study
- Corrosion protection version
- Position and temperature sensors

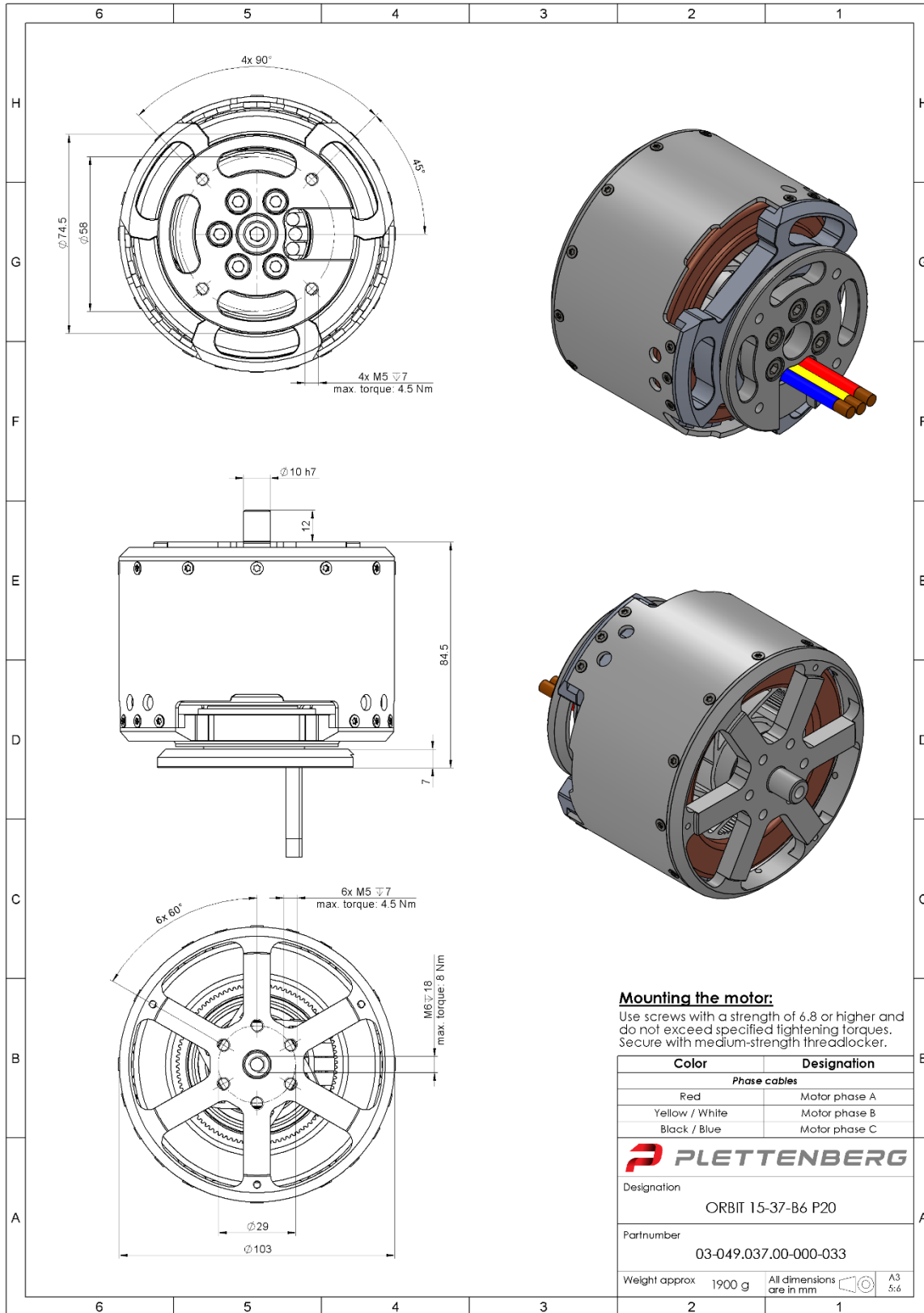


ORBIT Series



ORBIT 15-37-B6 P20

Outrunner BLDC motor



Plettenberg Elektromotoren GmbH & Co. KG
 Rostocker Straße 30
 34225 Baunatal, Germany
 T: +49 (0) 56 01 97 96-0
 www.plettenbergmotors.com / sales@plettenbergmotors.com
 © 2025 Plettenberg Elektromotoren GmbH & Co. KG. All rights reserved.

