

## ADVANCE Series



# ADVANCE 1-30-B20 P14

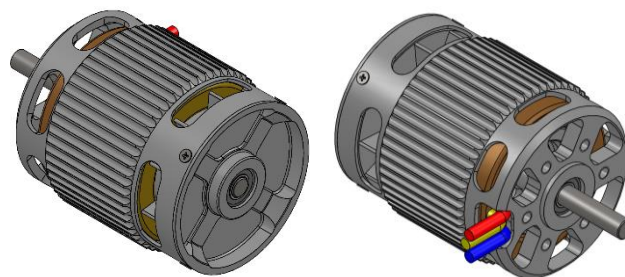
Inrunner BLDC motor with open housing

## Overview

The ADVANCE 1 is from our family of weight optimized inrunner BLDC motors and has been specifically designed for mission critical applications, including uncrewed systems and aerospace.

## Features

- Ultra-light housing for weight sensitive applications
- Integrated fan, providing superior cooling even in airflow constrained applications
- Designed for use with sensorless ESCs
- High torque density



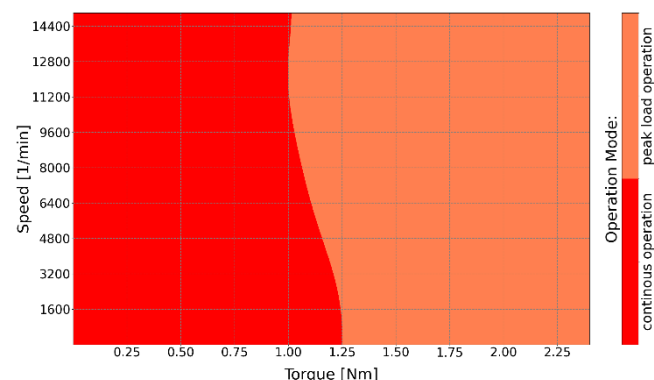
## Specifications

Part number	02-045.030.00-000-022	
Peak output power	2	kW
Peak torque (max. 5s)	2.4	Nm
Max. speed	15,000	rpm
Voltage range	20-60	V
Speed constant (kV)	255	rpm/V
Diameter	55	mm
Length	64	mm
Weight	420	g
Phase cable length	100	mm
Recommended phase cable extension	1.5	mm <sup>2</sup>
	16	AWG
Protection class	IP20	
Mounting	Front	
Direction of rotation	Both	
Cooling	Air cooled	
Ambient temperature range	-20 to +60 °C	
Number of poles	14	
Number of windings	20	
Peak thrust	10 kg with 18x6" prop	

## Complementary Products

- Sensorless third party ESCs (e.g. Hargrave/APD)

## Heatmap



Note: Assuming 25°C ambient temperature.

## Options & Customization

- Custom winding/kV versions
- MTBF/S report
- Mechanical customization or frameless kits
- Propeller study
- Corrosion protection version
- Removal of integrated fan

Plettenberg Elektromotoren GmbH & Co. KG  
Rostocker Straße 30  
34225 Baunatal, Germany  
T: +49 (0) 56 01 97 96-0  
www.plettenbergmotors.com / sales@plettenbergmotors.com  
© 2025 Plettenberg Elektromotoren GmbH & Co. KG. All rights reserved.

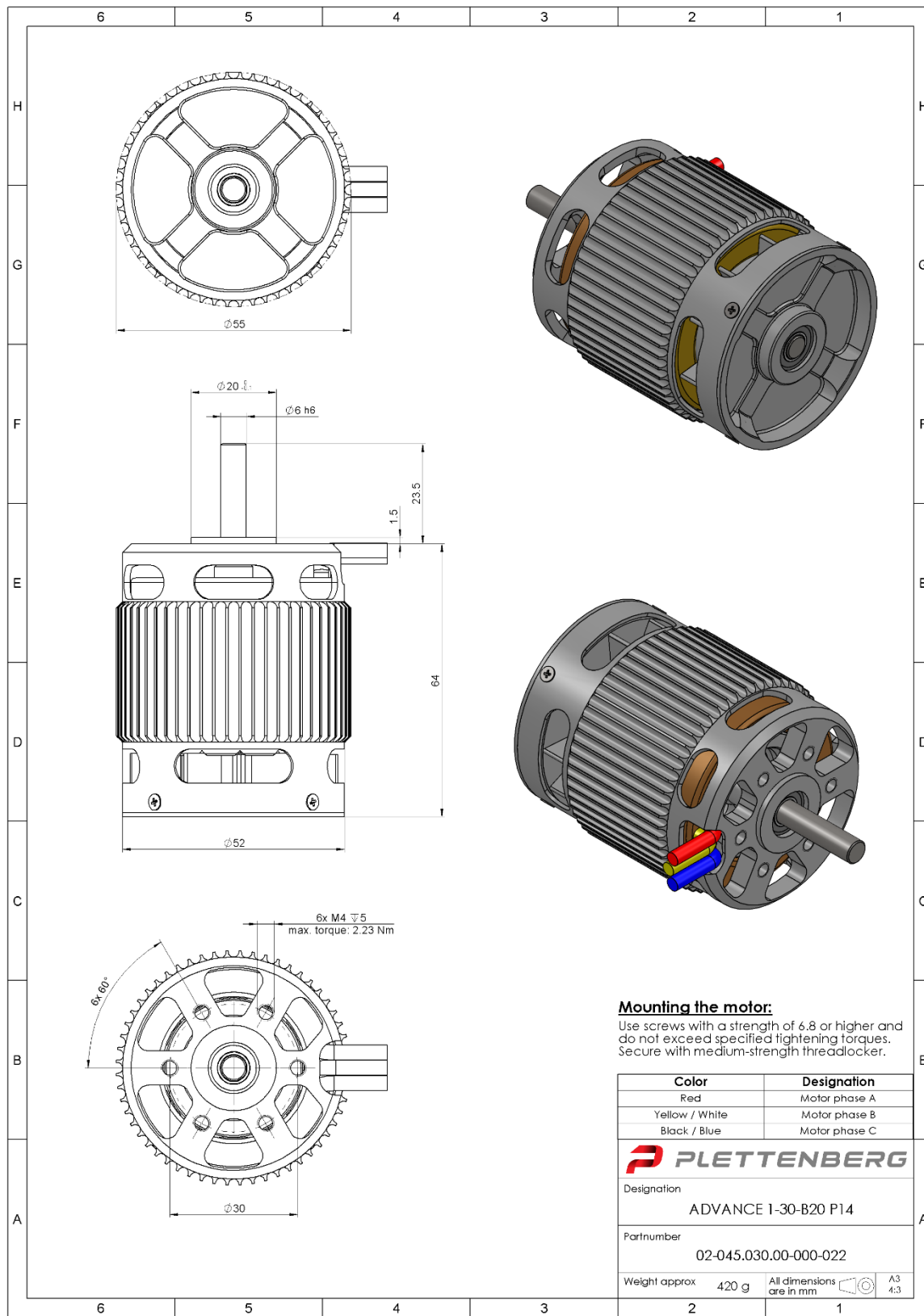


ADVANCE Series



# ADVANCE 1-30-B20 P14

Inrunner BLDC motor with open housing



Plettenberg Elektromotoren GmbH & Co. KG  
 Rostocker Straße 30  
 34225 Baunatal, Germany  
 T: +49 (0) 56 01 97 96-0  
 www.plettenbergmotors.com / sales@plettenbergmotors.com  
 © 2025 Plettenberg Elektromotoren GmbH & Co. KG. All rights reserved.

