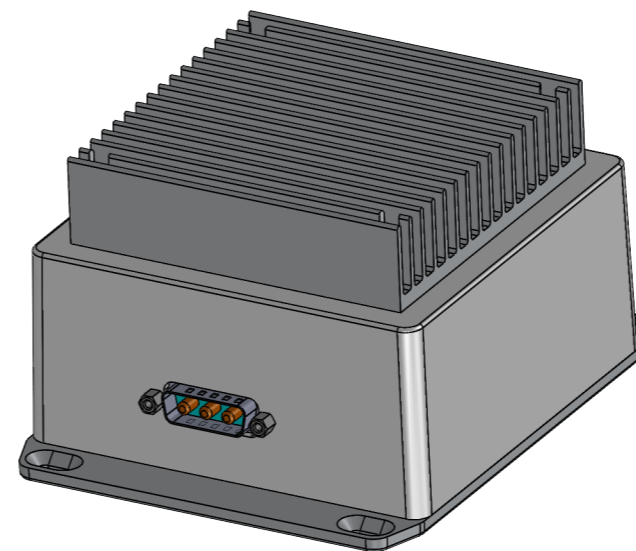
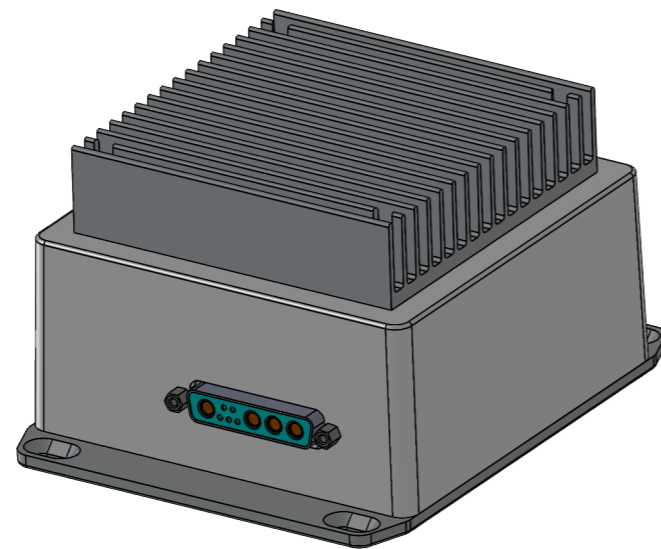
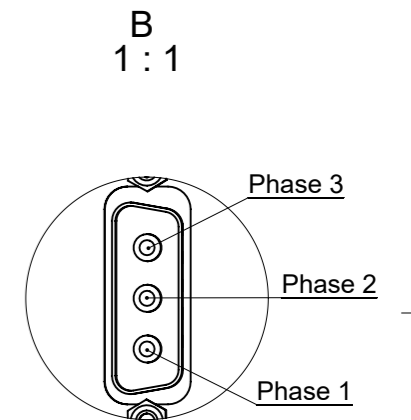
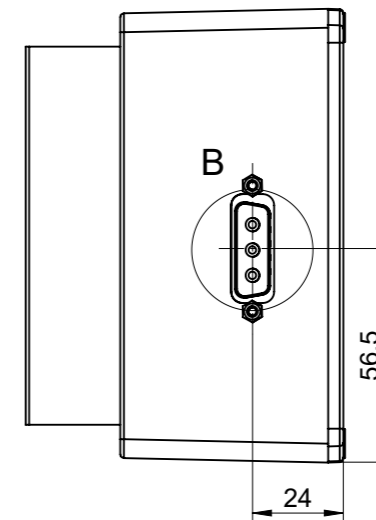
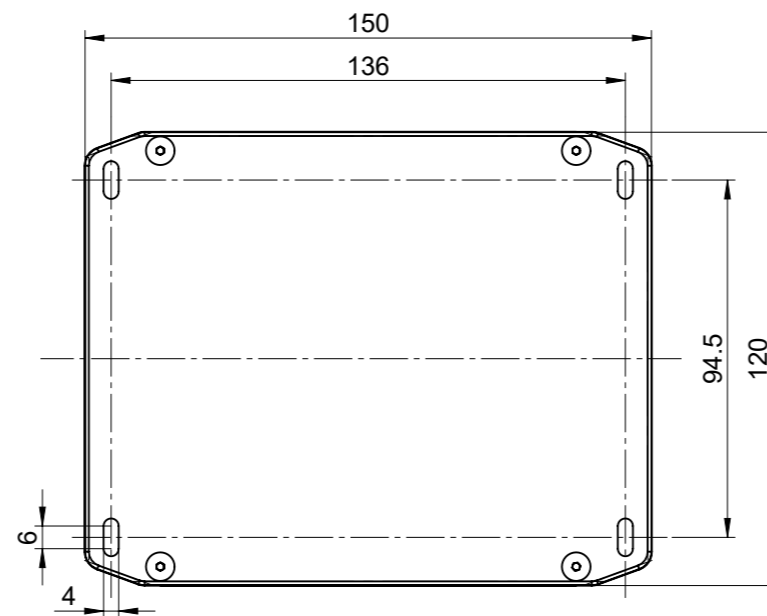
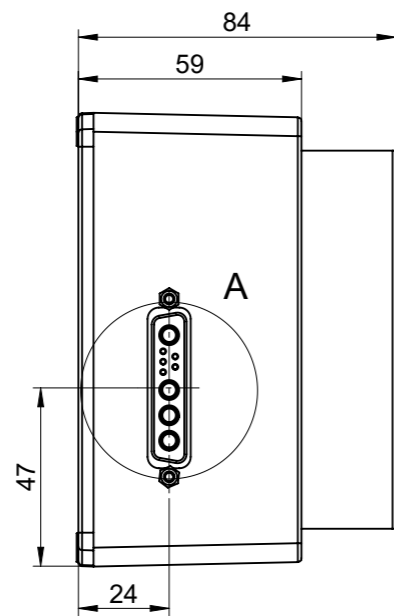
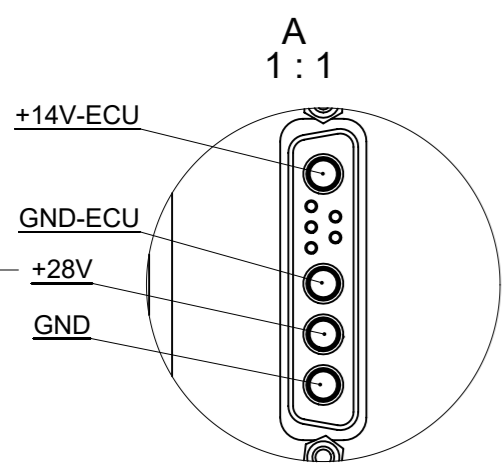


Electronic Box for Generator	
Nominal power output	1 kW
Nominal voltage output 1	28 V
Nominal voltage output 2	14 V (max. 10 A)
Rectified working voltage input	12 - 60 V
Rectified nominal voltage input	30 - 60 V
Max. rectified input current	40 A
Cooling	Air cooled
Protection class	IP54 (incl. sealed connectors)



all dimensions are in mm Weight (ex. cable) approx: 1050 g



Generator Electronic 1 kW

10-000.010-001

A3

We reserve all rights for this drawing, also in case of patent grant or utility model registration. Without our prior consent, this drawing may neither be reproduced nor made available to third parties, and it may not be misused by the recipient or third parties in any other way. Infringements will be liable to damages and may result in criminal prosecution. Plettenberg Elektromotoren GmbH & Co. KG