

ORBIT Series



ORBIT 15-37-B6 P20

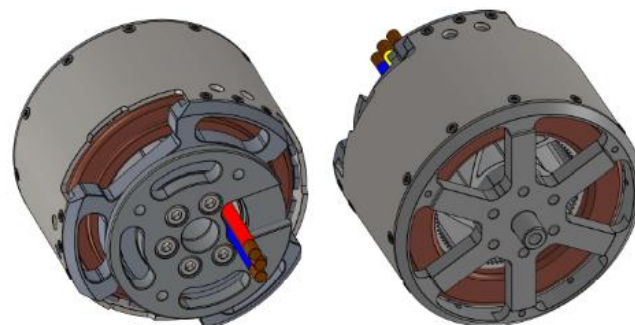
Outrunner BLDC motor

Overview

The ORBIT 15 is from our family of weight optimized outrunner BLDC motors and has been specifically designed for the most demanding applications, including uncrewed systems and aerospace.

Features

- Ultra-light housing for weight sensitive applications
- Increased robustness through three bearing design, adding additional support to housing
- Useful for applications with high torque requirements
- Designed for use with sensorless ESCs



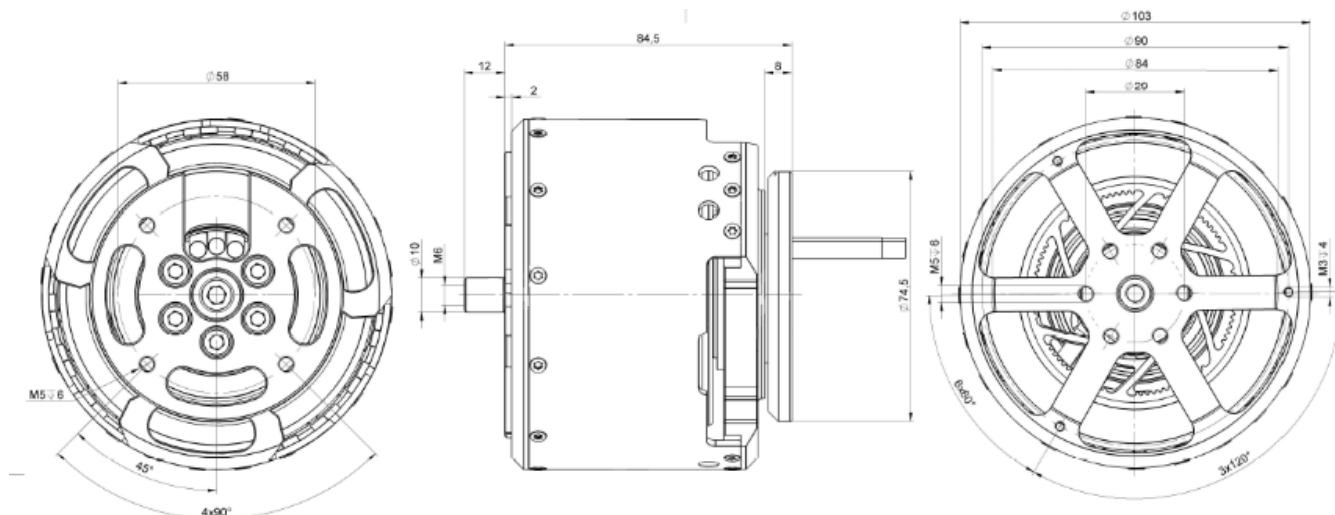
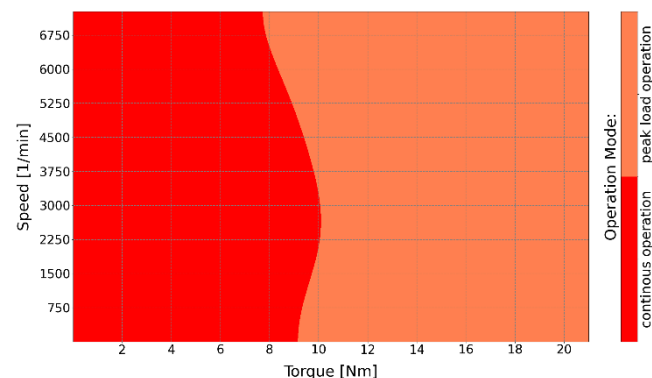
Specifications

Peak output power	11	kW
Peak torque ¹	21	Nm
Max. speed	7,000	rpm
Voltage range	20-45	V
Speed constant (kV)	153	rpm/V
Diameter	103	mm
Length	84.5	mm
Weight	1,900	g
Phase cable length	100	mm
Mounting	Back	
Cooling	Air cooled	
Ambient Temperature range	-20 to +60	°C
Number of poles	20	
Number of windings	6	
Peak thrust	44 kg with 36x12" prop	

Complementary Products

- Sensorless third party ESCs (e.g. Hargrave/APD)

Heatmap



Plettenberg Elektromotoren GmbH & Co. KG
Rostocker Straße 30
34225 Baunatal, Germany
T: +49 (0) 56 01 97 96-0
www.plettenbergmotors.com / sales@plettenbergmotors.com
© 2024 Plettenberg Elektromotoren GmbH & Co. KG. All rights reserved.

