

ADVANCE Series

ADVANCE 5-50-B6 P20

Inrunner BLDC motor with open housing

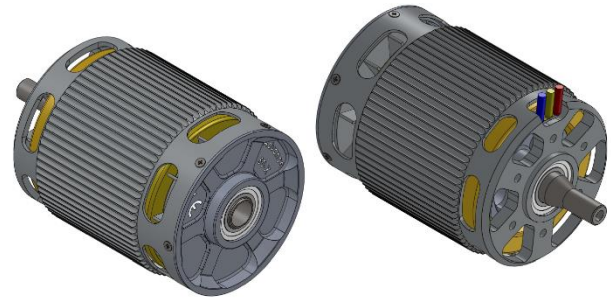


Overview

The ADVANCE 5 is from our family of weight optimized inrunner BLDC motors and has been specifically designed for the most demanding applications, including uncrewed systems and aerospace.

Features

- Ultra-light housing for weight sensitive applications
- Integrated passive fan for optimized cooling
- Designed for use with sensorless ESCs
- High torque density



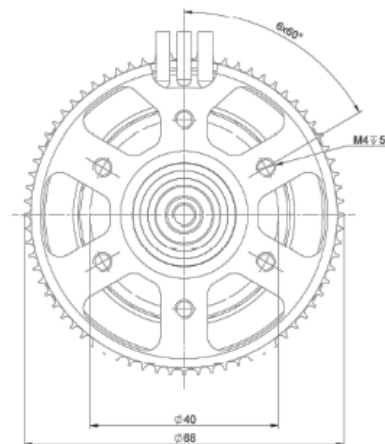
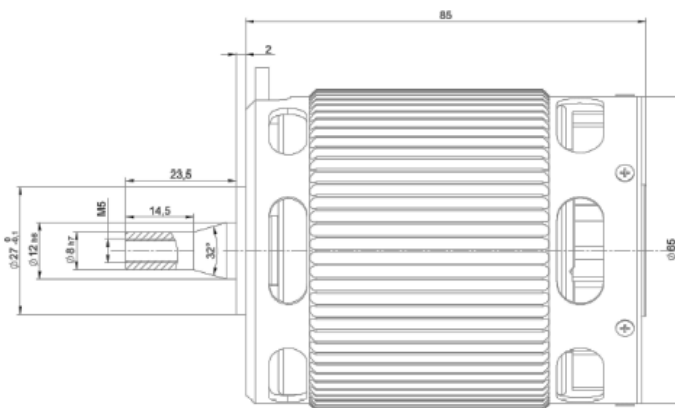
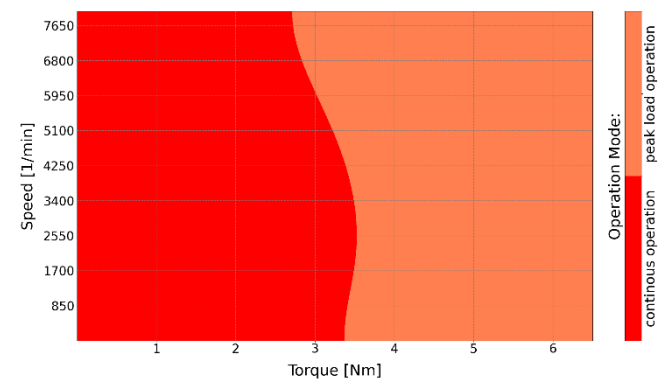
Specifications

| | | |
|---------------------------|-------------------------|-------|
| Peak output power | 5 | kW |
| Peak torque ¹ | 6.5 | Nm |
| Max. speed | 8,000 | rpm |
| Voltage range | 15-40 | V |
| Speed constant (kV) | 210 | rpm/V |
| Diameter | 68 | mm |
| Length | 85 | mm |
| Weight | 830 | g |
| Phase cable length | 100 | mm |
| Protection class | IP20 | |
| Mounting | Front | |
| Cooling | Air cooled | |
| Ambient Temperature range | -20 to +60 | °C |
| Number of poles | 20 | |
| Number of windings | 6 | |
| Peak thrust | 21 kg with 24x8.1" prop | |

Complementary Products

- Sensorless third party ESCs (e.g. Hargrave/APD)
- Plettenberg gold connectors: GC6-00 / GC6-90

Heatmap



Plettenberg Elektromotoren GmbH & Co. KG
Rostocker Straße 30
34225 Baunatal, Germany
T: +49 (0) 56 01 97 96-0
www.plettenbergmotors.com / sales@plettenbergmotors.com
© 2024 Plettenberg Elektromotoren GmbH & Co. KG. All rights reserved.

