

ADVANCE Series

ADVANCE 5-50-B10 P20

Inrunner BLDC motor with open housing

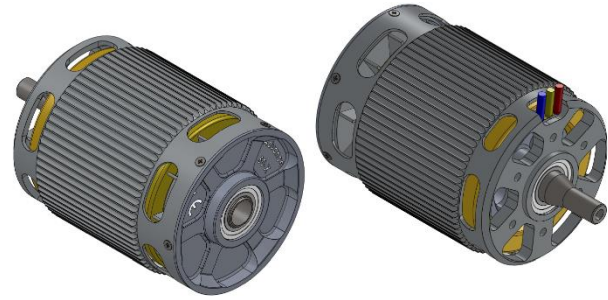


Overview

The ADVANCE 5 is from our family of weight optimized inrunner BLDC motors and has been specifically designed for the most demanding applications, including uncrewed systems and aerospace.

Features

- Ultra-light housing for weight sensitive applications
- Integrated passive fan for optimized cooling
- Designed for use with sensorless ESCs
- High torque density



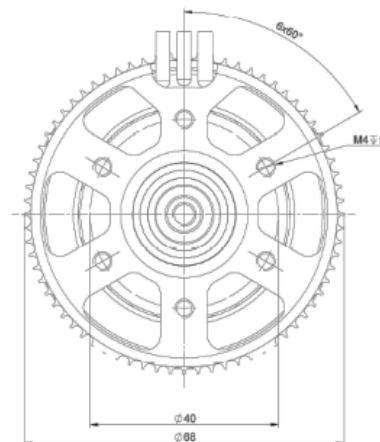
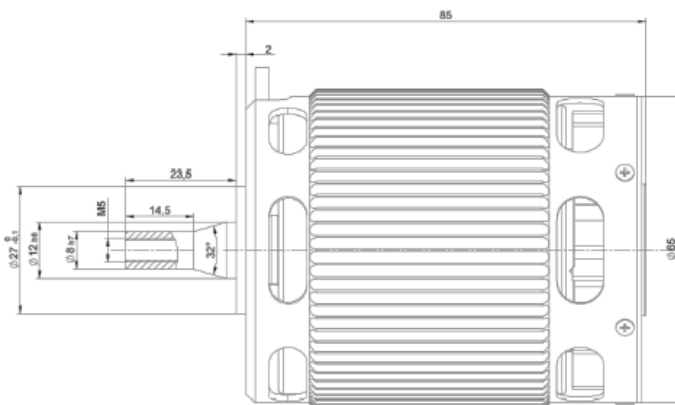
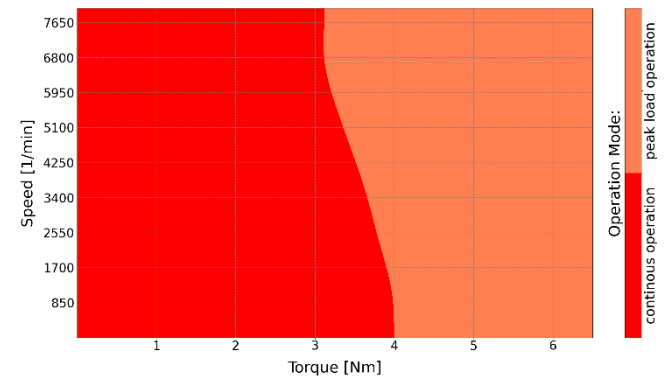
Specifications

Peak output power	5	kW
Peak torque ¹	6.5	Nm
Max. speed	8,000	rpm
Voltage range	15-60	V
Speed constant (kV)	132	rpm/V
Diameter	68	mm
Length	85	mm
Weight	830	g
Phase cable length	100	mm
Protection class	IP20	
Mounting	Front	
Cooling	Air cooled	
Ambient Temperature range	-20 to +60	°C
Number of poles	20	
Number of windings	10	
Peak thrust	21 kg with 24x8.1" prop	

Complementary Products

- Sensorless third party ESCs (e.g. Hargrave/APD)
- Plettenberg gold connectors: GC6-00 / GC6-90

Heatmap



Plettenberg Elektromotoren GmbH & Co. KG
Rostocker Straße 30
34225 Baunatal, Germany
T: +49 (0) 56 01 97 96-0
www.plettenbergmotors.com / sales@plettenbergmotors.com
© 2024 Plettenberg Elektromotoren GmbH & Co. KG. All rights reserved.

