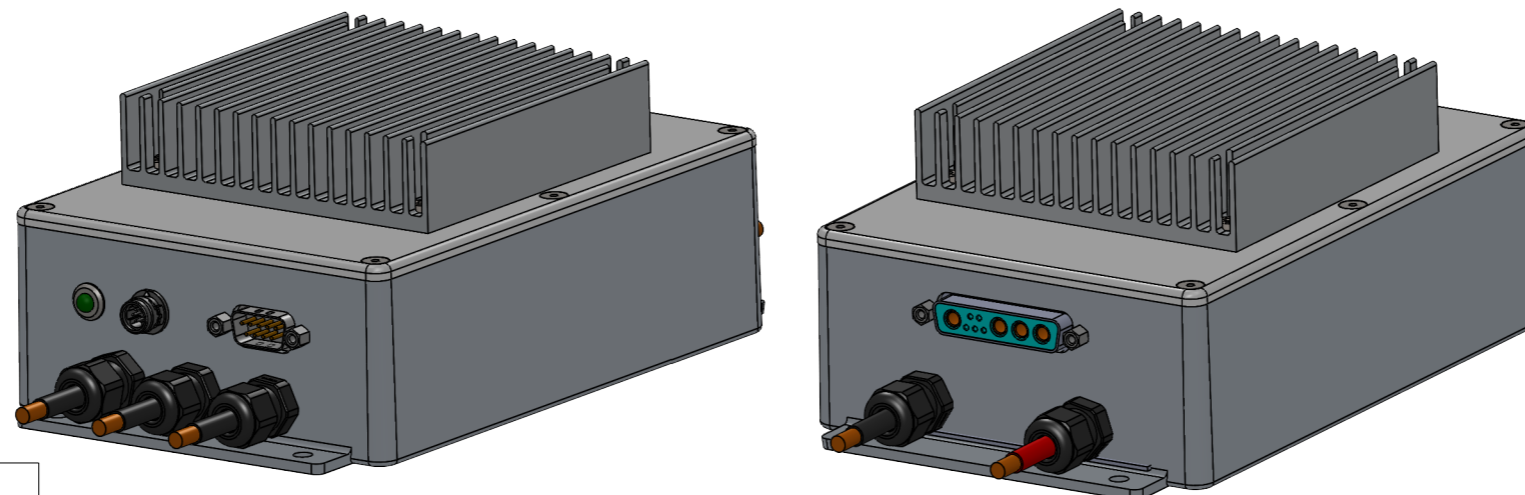
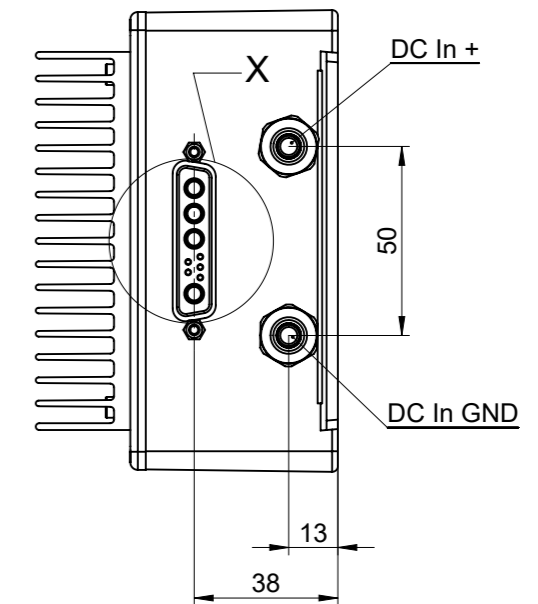
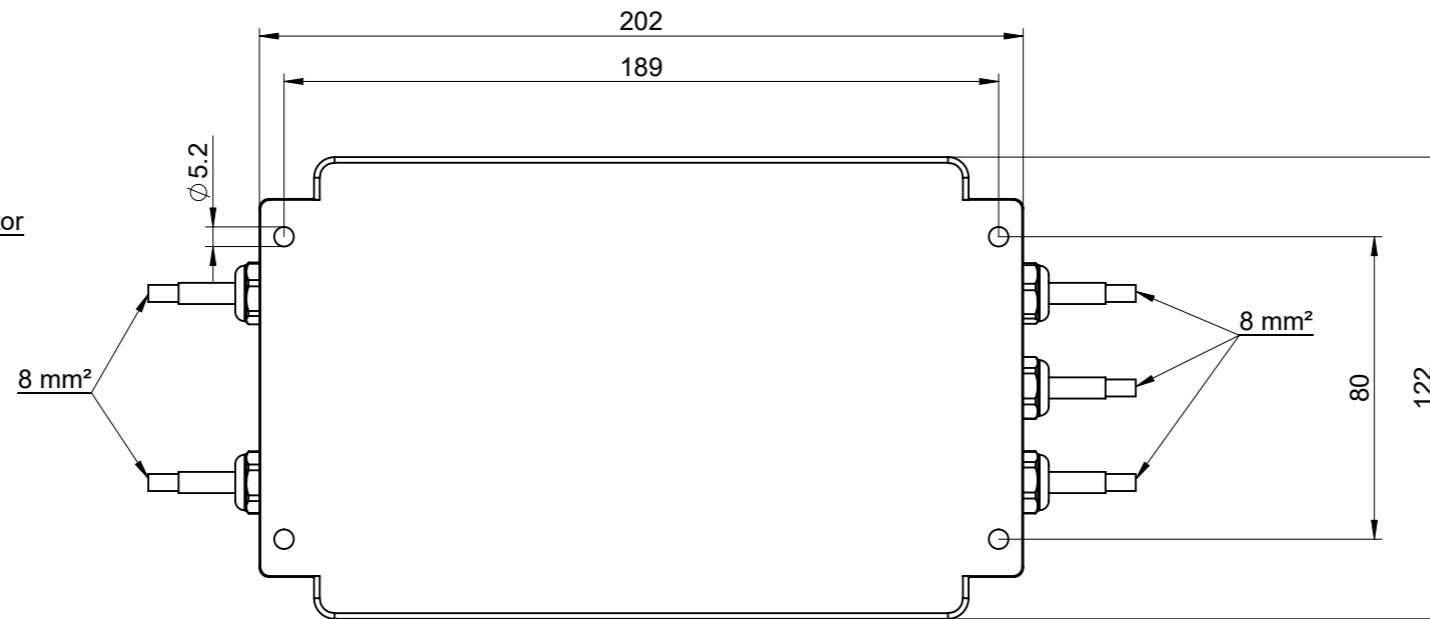
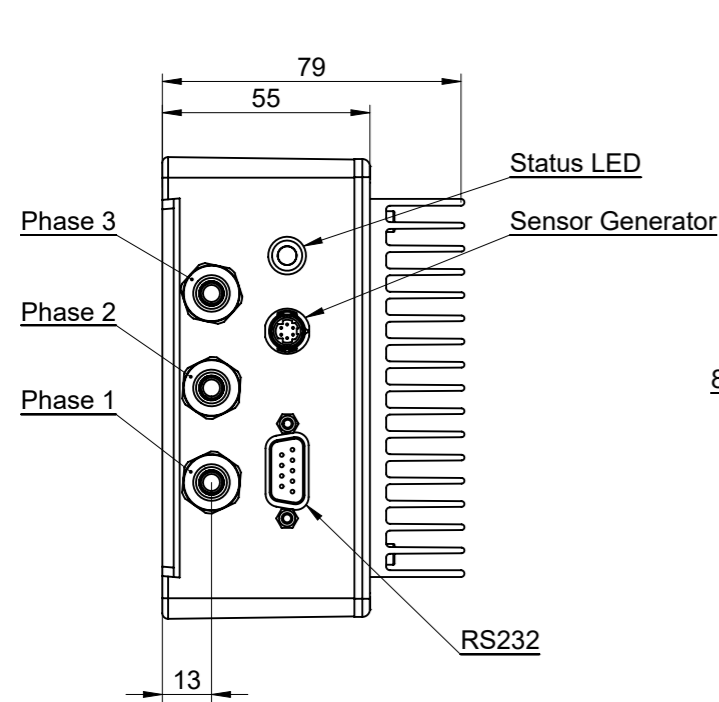


Electronic Box for Starter-Generator	
Max. continuous output power	1 kW
Voltage output 1	28 V
Voltage output 2	14 V (max. 10 A)
Nominal voltage range input (generator)	30 - 60 V
Nominal voltage range of the battery (starter)	12 - 24 V
Starting voltage input DC (starter)	15 - 30 V
Max. current output	40 A
Cooling	Air cooled
Protection class	IP54 (incl. sealed connectors)



all dimensions are in mm | Weight (ex. cable) approx: 1,500 g

**PLETTENBERG**

Starter-Generator 1 kW

10-000.011-001-01

We reserve all rights for this drawing, also in case of patent grant or utility model registration. Without our prior consent, this drawing may neither be reproduced nor made available to third parties, and it may not be misused by the recipient or third parties in any other way. Infringements will be liable to damages and may result in criminal prosecution. Plettenberg Elektromotoren GmbH & Co. KG