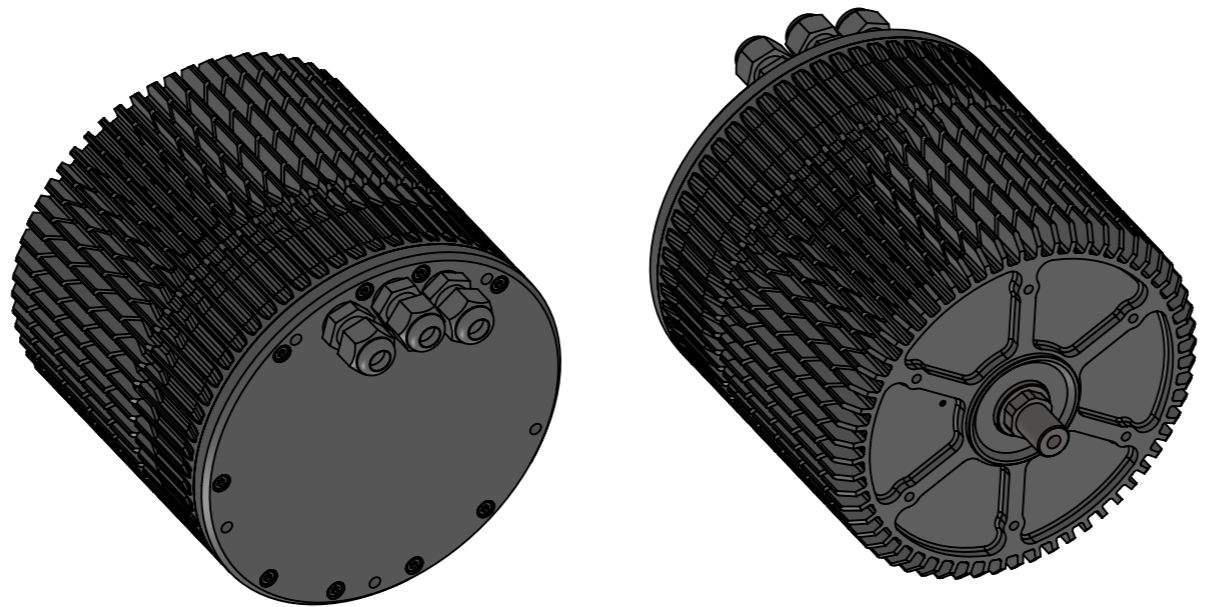
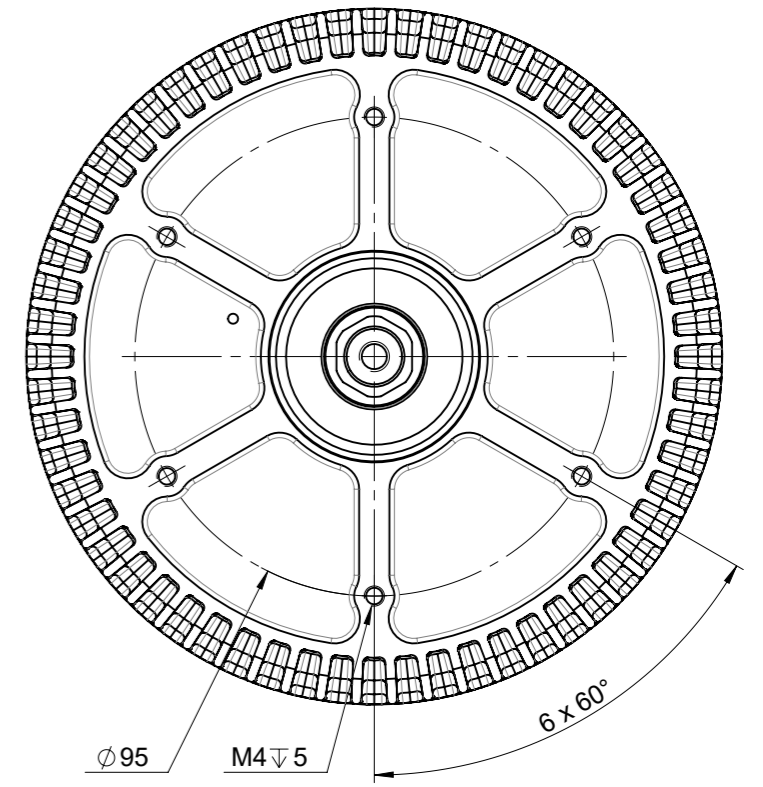
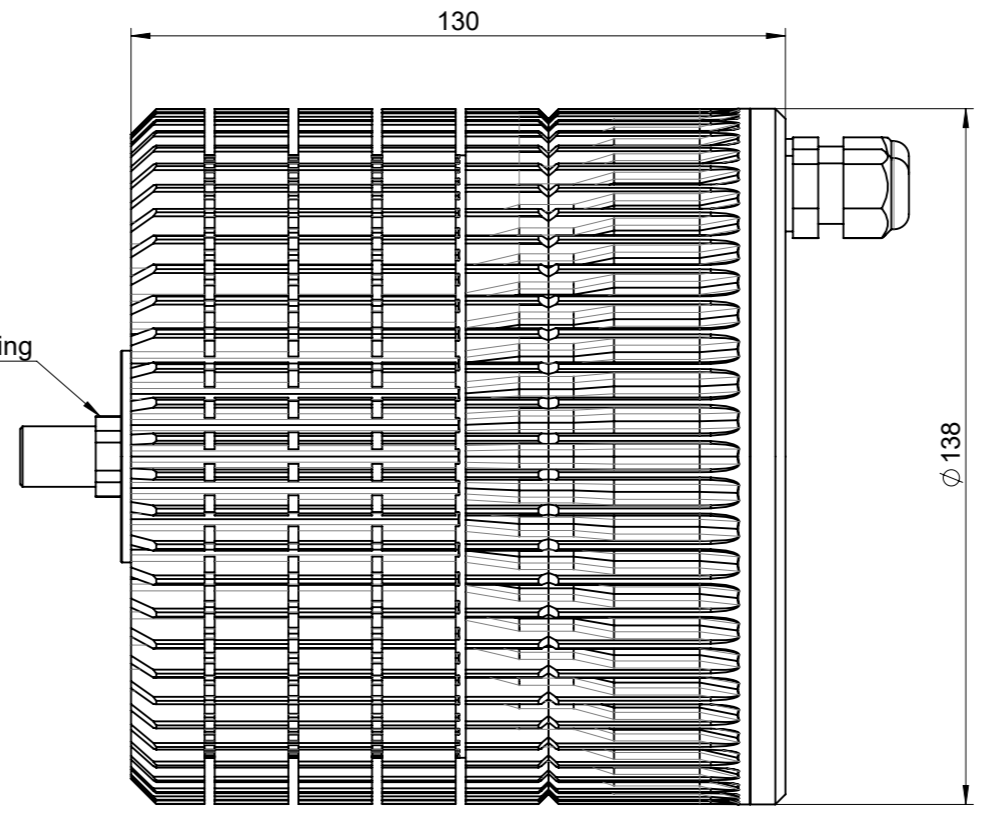


Shaft end for  
PC LW 6K 12  
propeller coupling



Units: all dimensions are in mm	Weight approx: /
<b>PLETTENBERG</b>	
Designation NOVA 15-50 LW D138 FRM iESC	
sample dimension sheet	
A3	

We reserve all rights for this drawing, also in case of patent grant or utility model registration.  
Without our prior consent, this drawing may neither be reproduced nor made available to third parties, and it may not be misused by the recipient or third parties in any other way. Infringements will be liable to damages and may result in criminal prosecution.  
Plettenberg Elektromotoren GmbH & Co. KG