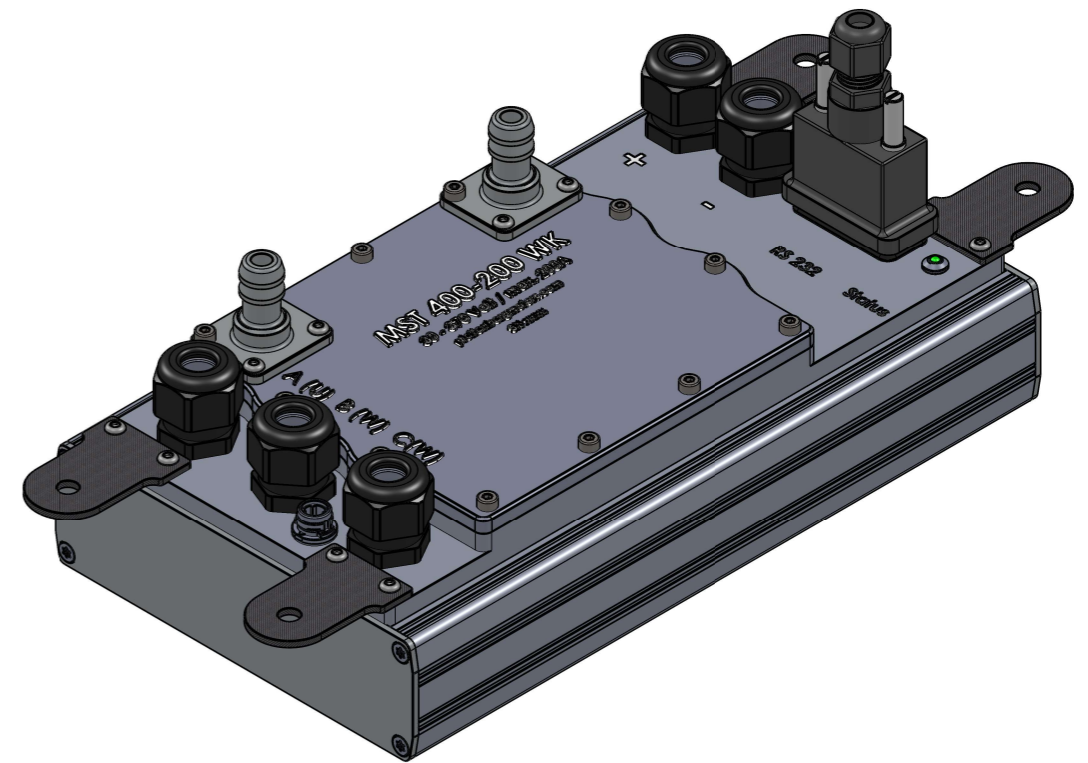
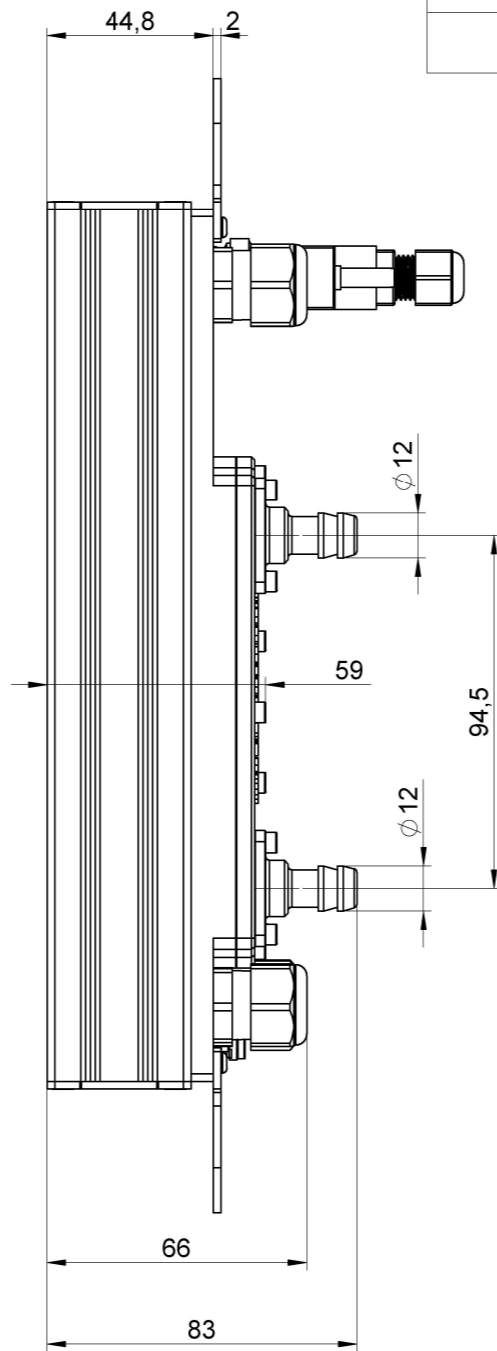
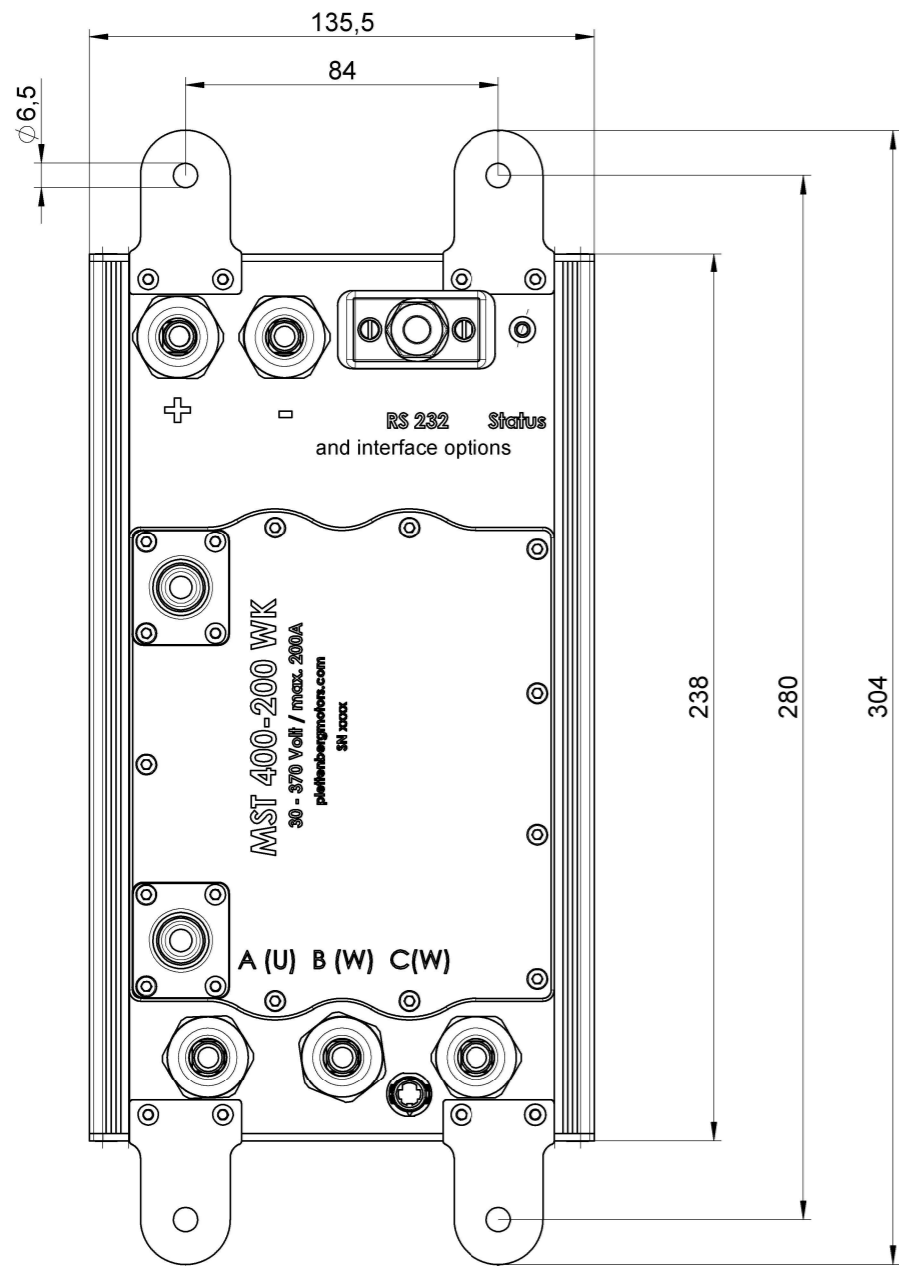


Electronic Speed Controller for BLDC Motor	
Continuous power max.	70 kW
Electric RPM limit	240,000 1/min
Voltage range	30 - 370 V
Current max.	220 A (max 2 sec.)
Current cont.	200 A (at 25°C ambient temperature)
Interfaces	RS232 plus either CAN bus 2.0 or PWM or analog
Cooling	Water cooled
Protection class	IP53 (higher class possible)



all dimensions are in mm Weight (ex. cable) approx: 1820 g



MST 400-200 WK

Summary Datasheet

We reserve all rights for this drawing, also in case of patent grant or utility model registration. Without our prior consent, this drawing may neither be reproduced nor made available to third parties, and it may not be misused by the recipient or third parties in any other way. Infringements will be liable to damages and may result in criminal prosecution. Plettberg Elektromotoren GmbH & Co. KG