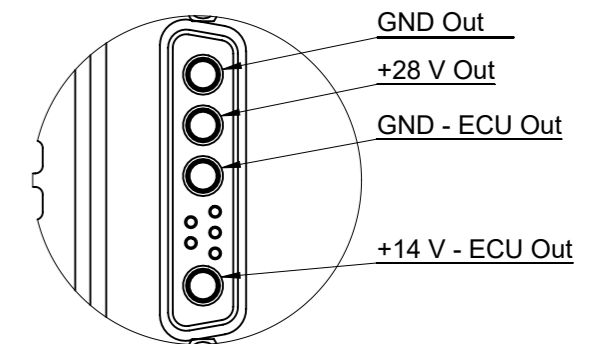
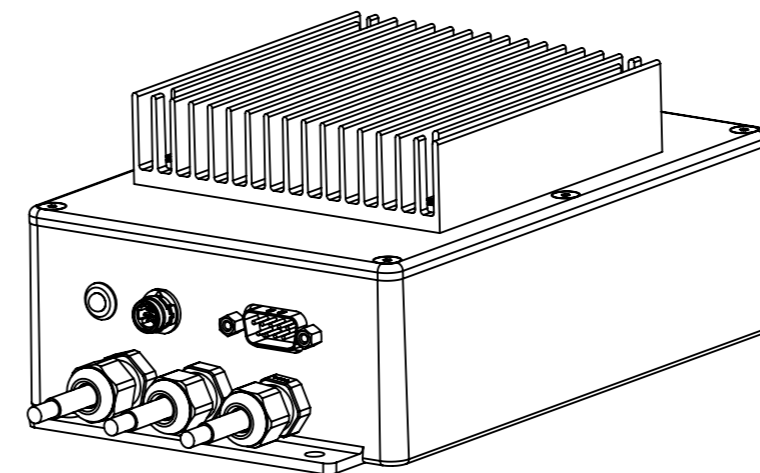


X  
1:1



Nominal voltage range of the battery (starter)	12 – 24 V
Starting voltage input DC (starter)	15 - 30 V
Nominal voltage range input (generator)	30 - 60 V
Max. current output (generator)	40 A
Max. continuous output power (generator)	1000 W
Voltage output 1 (generator)	28 V ±0,5 V
Voltage output 2 (generator)	14 V ±0,5 V (max. 10 A)
Protection class	IP 54 (IP 20 without sealed connectors)



	General tolerances	Edges	Scale: 1:2	Weight approx: 1500 g 1700 g incl. cable
	ISO 2768- mK	DIN 6784	Material	Units: all dimensions are in mm
			Designation	
			Starter- Generator Electronic 1 kW	
			10-000.011-001-01	
			Sheet 1 from 1	
			A3	
State	Amendments	Date	Name	

We reserve all rights for this drawing, also in case of patent grant or utility model registration. Without our prior consent, this drawing may neither be reproduced nor made available to third parties, and it may not be misused by the recipient or third parties in any other way. Infringements will be liable to damages and may result in criminal prosecution. Plettenberg Elektromotoren GmbH & Co. KG